

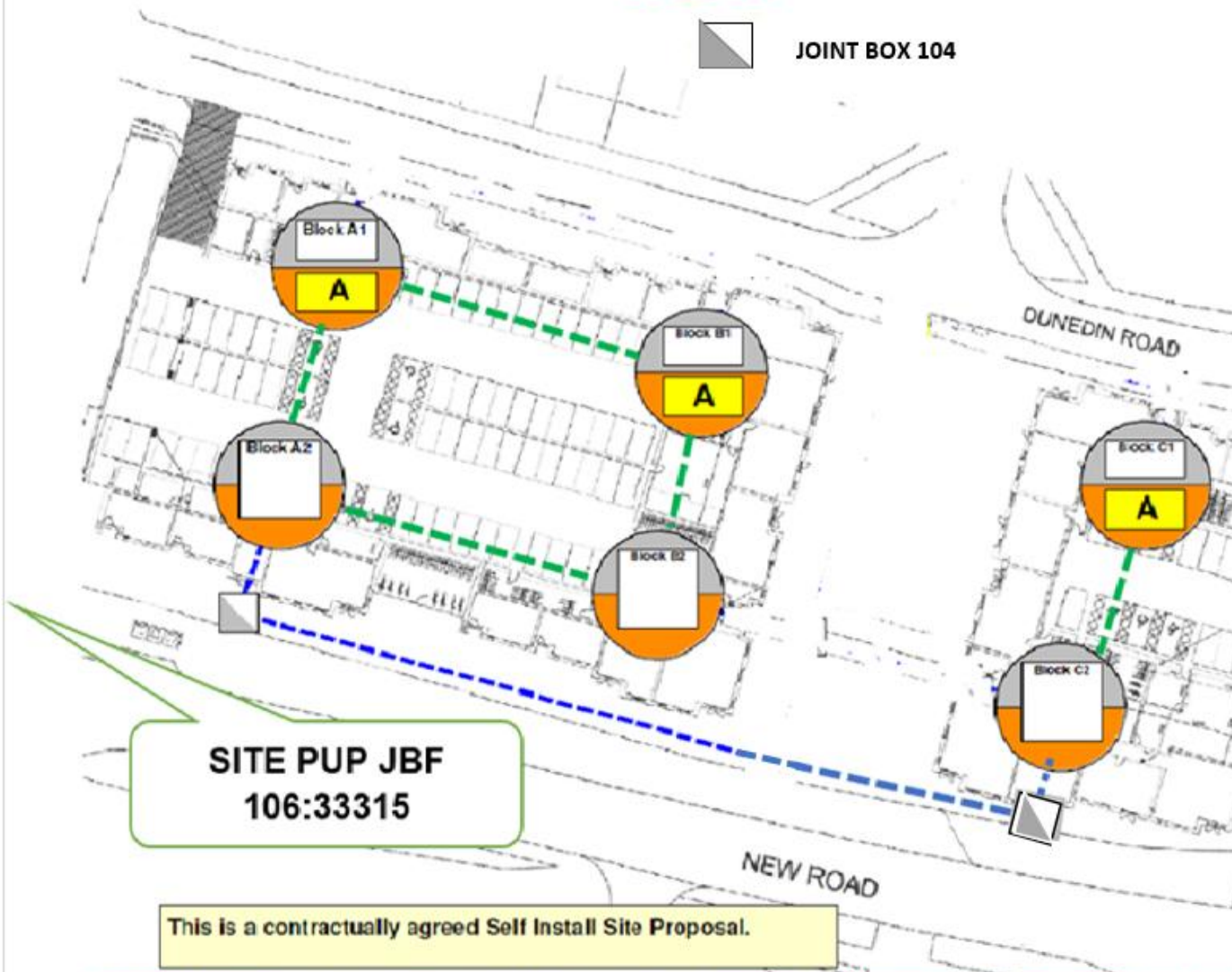
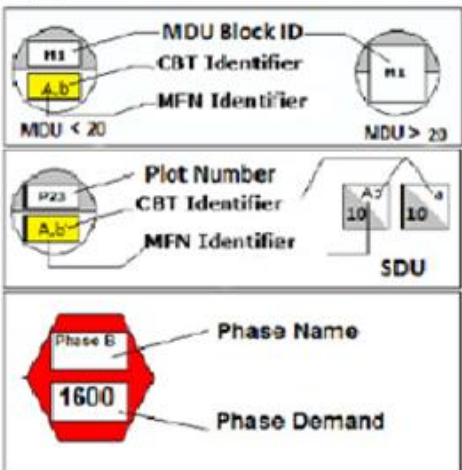
-  90mm PVC DUCT
-  INTERNAL CABLE TRAY
-  JOINT BOX 104

Plant Symbols **openreach**

- Developer Proposed Duct**
-  90 mm PVC Duct
  -  50 mm PVC Duct
  -  Internal Tray Work

**Built to BT Specification**

-  Joint Box JBF 102/JUF 102
-  Joint Box JBF 104/JUF 104
-  Joint Box JBF 106/JUF 106
-  Joint Box JBF 110/JUF 110
-  Proposed RT Built Box JBF 104
-  Existing Box JBF 104
-  Duct Tee
-  Duct 54/Duct 56 Reducer



**SITE PUP JBF  
106:33315**

This is a contractually agreed Self Install Site Proposal.

Plant Cell Map Job Description :EALS1\_L/RA-156\_DUNEDIN RD NEW RD\_RAINHAM\_RW13 BL3 Proposal :OPENREACH FIBRE CONNECTORISED NETWORK PROPOSAL

**Important Notice - BT's joint boxes (JB and JUF) must be constructed in non carriageway situations only. If there is any deviation from this please contact your newSite Representative before work commences.**

**Certified By:**  
  
**Date:**

Exchange Area: L/RA  
Estimate Number:  
Planned By: 612107960  
NSI: L/RA/156 Issue: 1